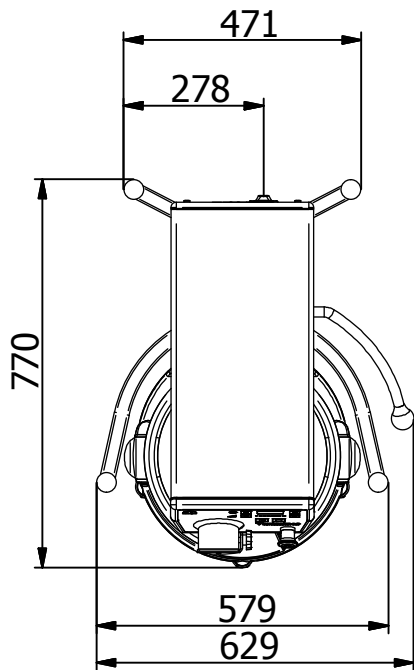


Mounting in rear legs with M10 bolts



MARINE Machine:
 Remove standard legs and mount the 4 stainless steel legs added.
 Adjust the height and weld the legs to the ground.