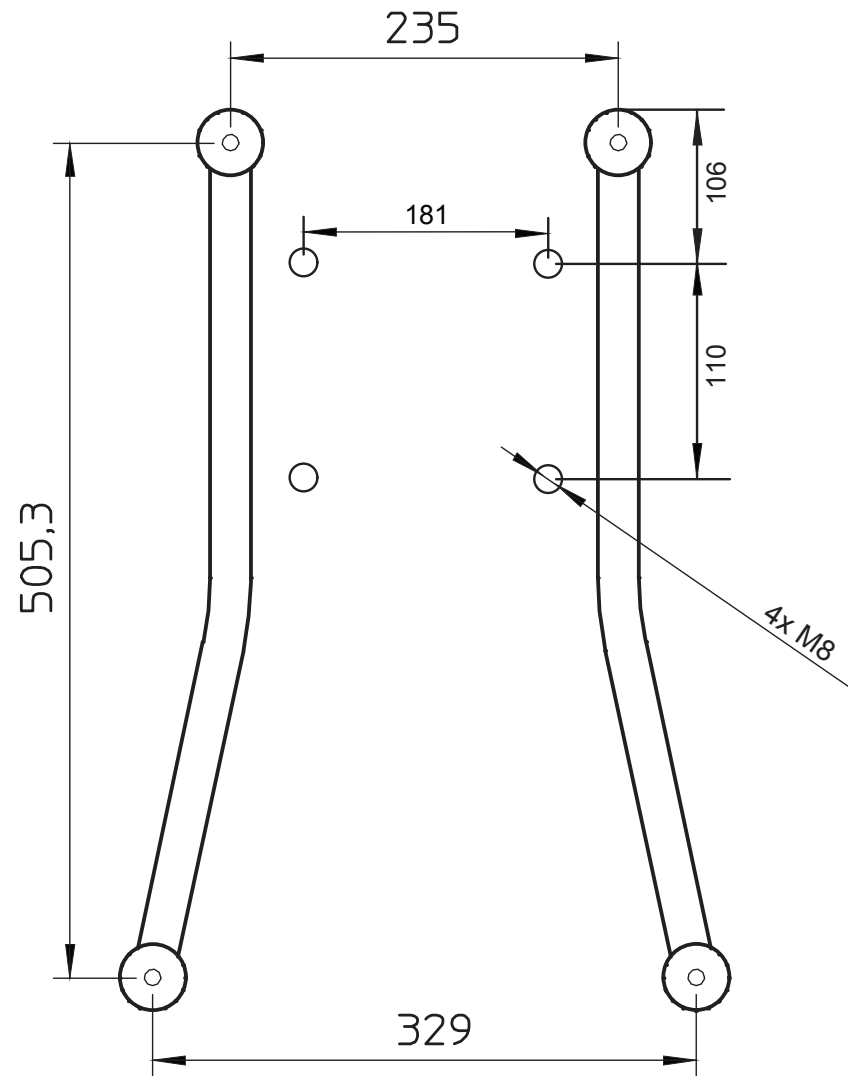
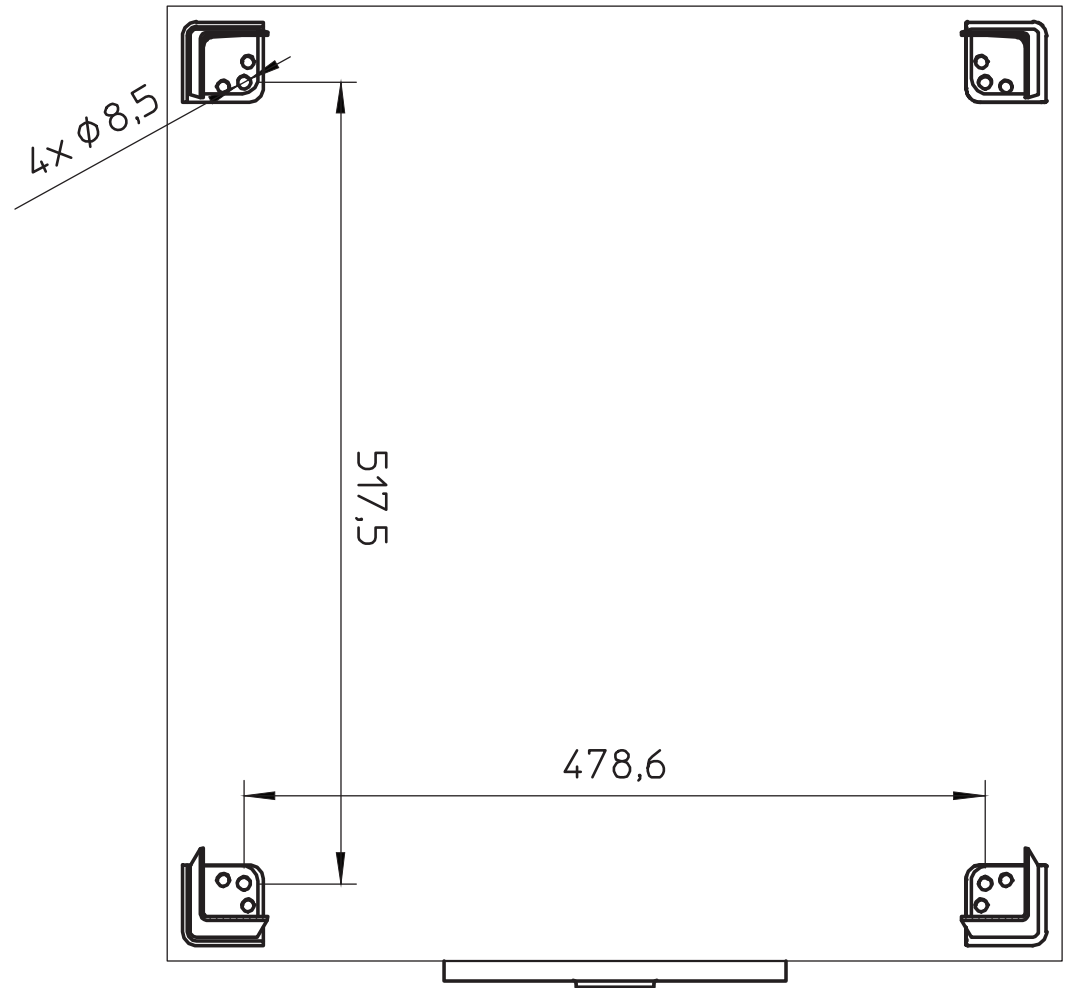


Table model - back



Floor model - back



RN10 VL-2

Holes for mounting - table and floor model