

EQUIPMENT

STACKABLE BOWLS



LID FOR BOWL



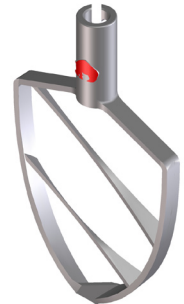
WHIP



HOOK



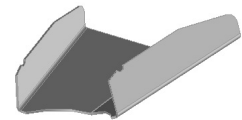
BEATER



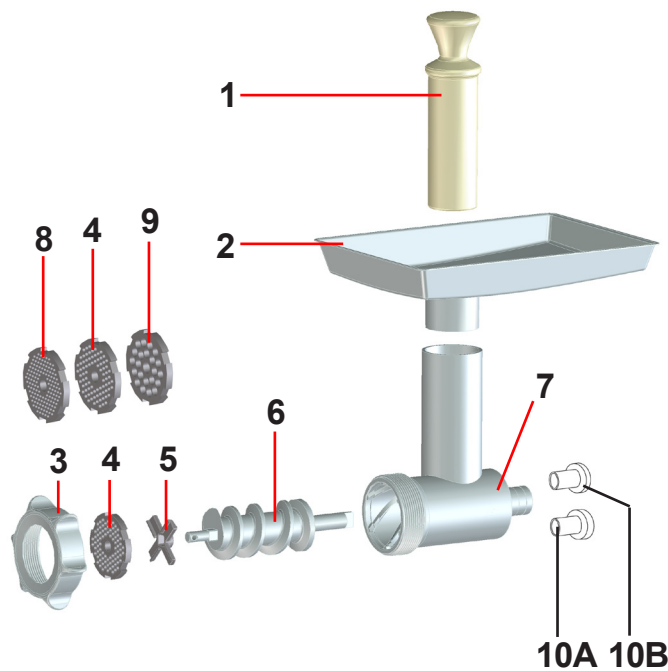
SPLASH GUARD



FILLING SKID



MEAT MINCER:3MM



SPARE PART LIST:

1.	Plunger.....	AR005-364-TD001
2.	Meat Tray	AR005-363-TD001
3.	Ring	AR005-355-TD001
4.	Disc with 4mm holes (included)	AR005-357-TD002
5.	Cutter	AR005-358-TD002
6.	Feed screw	AR005-356-TD001
7.	Housing.....	AR005-359-TD002
8.	Disc with 3mm holes	AR005-357-TD001
9.	Disc with 8mm holes (included)	AR005-357-TD003
10A.	Bearing bush-standard tightening	AR005-362-TD001
10B.	Bearing bush-manual tightening.....	3VC-390C