



KODIAK 10



Spare Parts manual

Serial number
reference:

10011576-
1000000000 -
1000100000 -
1000300000 -



Varimixer

Varimixer A/S
Elementfabrikken 9
DK-2605 Brøndby
Denmark

P: +45 4344 2288
E: info@varimixer.com
www.varimixer.com

EN

DRN:24010-160203
29-04-2026

TRANSMISSION	<u>3</u>
ATTACHMENT DRIVE	<u>4</u>
ASSEMBLED PLANETARY HEAD	<u>5</u>
PLANETARY HEAD	<u>6</u>
MACHINE HOUSING	<u>7</u>
LIFTING SYSTEM	<u>8</u>
ELECTRIC COMPONENTS	<u>9</u>
FRONT PANEL	<u>10</u>
ACCESSORIES A	<u>11</u>

ORDERING OF SPARE PARTS:

Sale of spare parts for our mixers is attended by our spare part department. When ordering spare parts, the following information must be given:

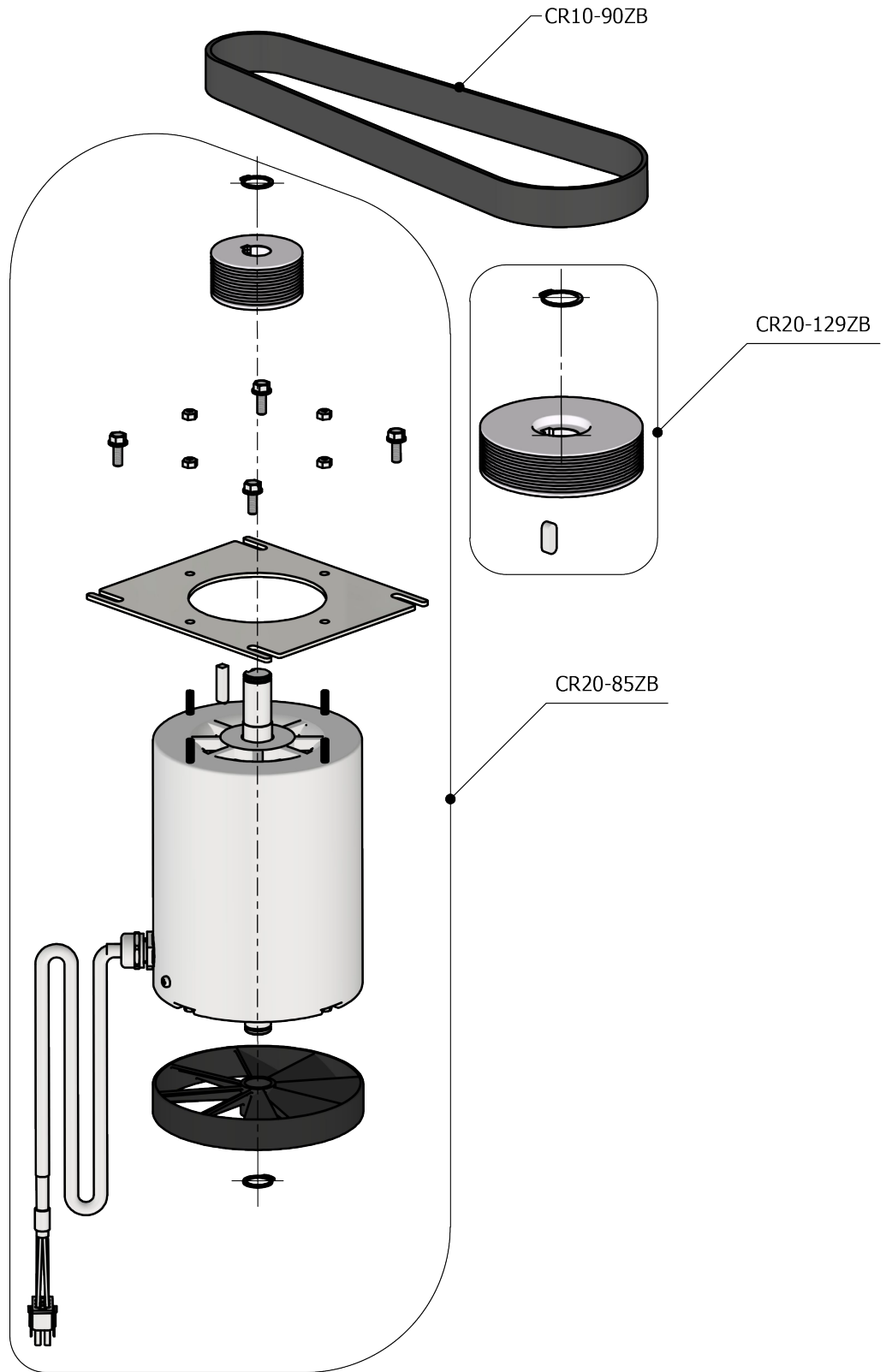
1. Type of machine
2. Number of the machine
3. Article number of the spare part in question. (Order no.)
4. Method of conveyance

If one of the above pieces of information is missing, please contact our spare part department before placing the order, as then we can assist you in finding the correct article number (order no.) of the spare part in question.

A few spare parts are not sold alone, in such cases reference is made at the pos.number to the assembly number to be used for ordering. The assembly numbers are shown on the relevant pages.

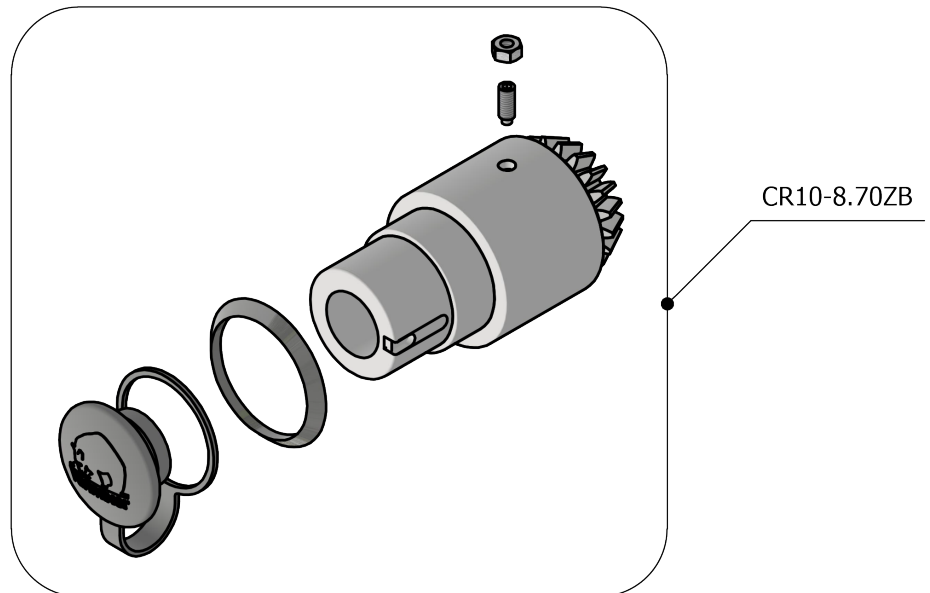
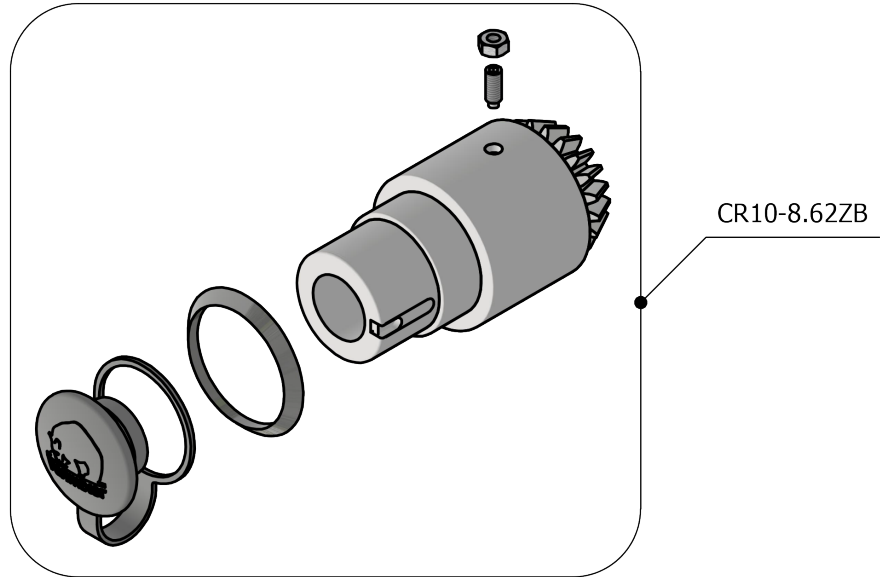
Returning of spare parts is only
allowed when agreed with
Varimixer A/S

ORDER NO.	DESCRIPTION
CR20-85ZB	Motor CR10/CR20, 750W
CR20-129ZB	External belt pulley CR10/20
CR10-90ZB	Drive belt CR10

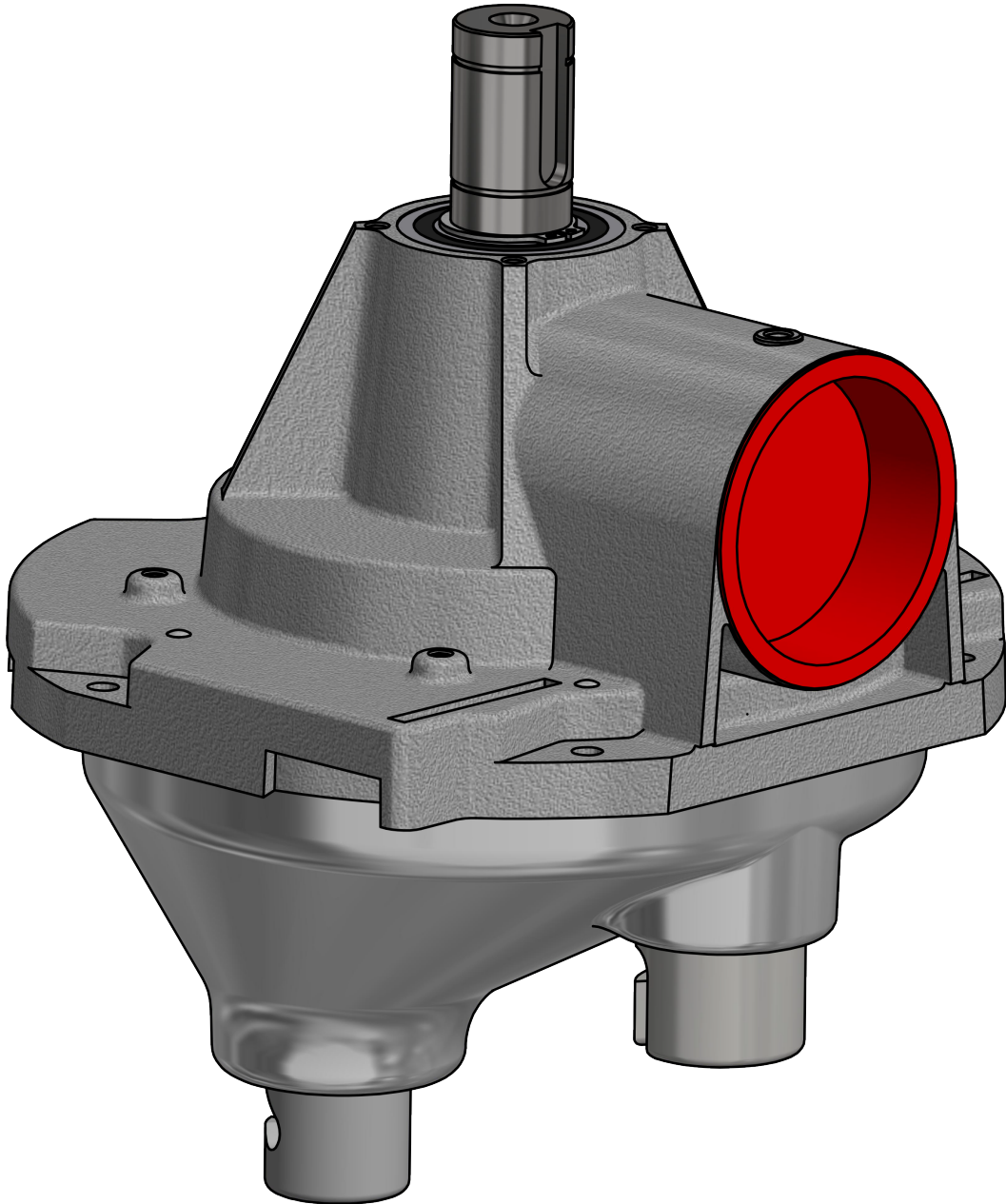


ATTACHMENT DRIVE

ORDER NO.	DESCRIPTION
CR10-8.62ZB	Auxiliary drive 62 mm
CR10-8.70ZB	Auxiliary drive 70 mm



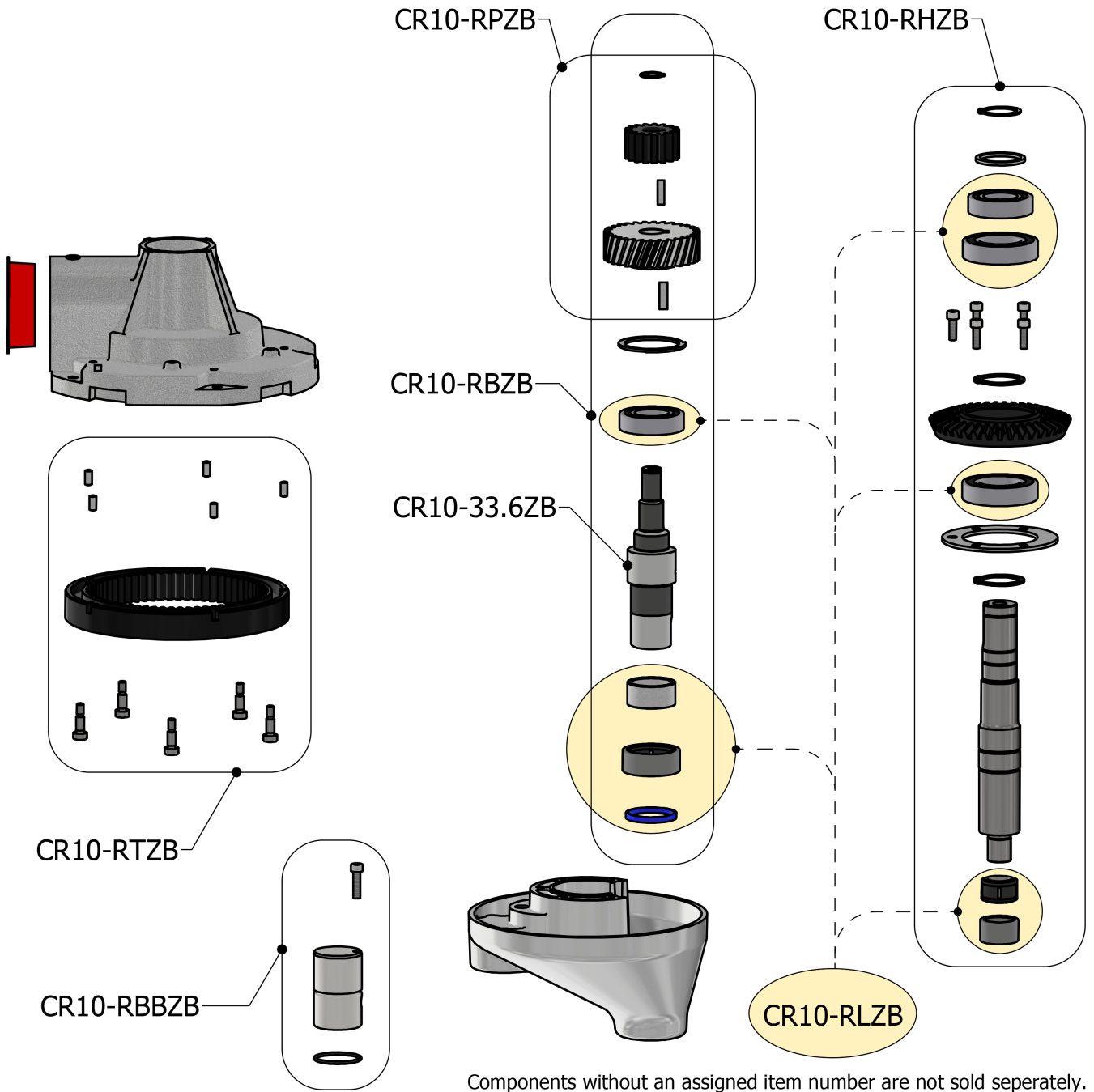
ORDER NO.	DESCRIPTION
CR10-2.3MZB	Mixer head prep. for scraper, mounted



CR10-2.3MZB

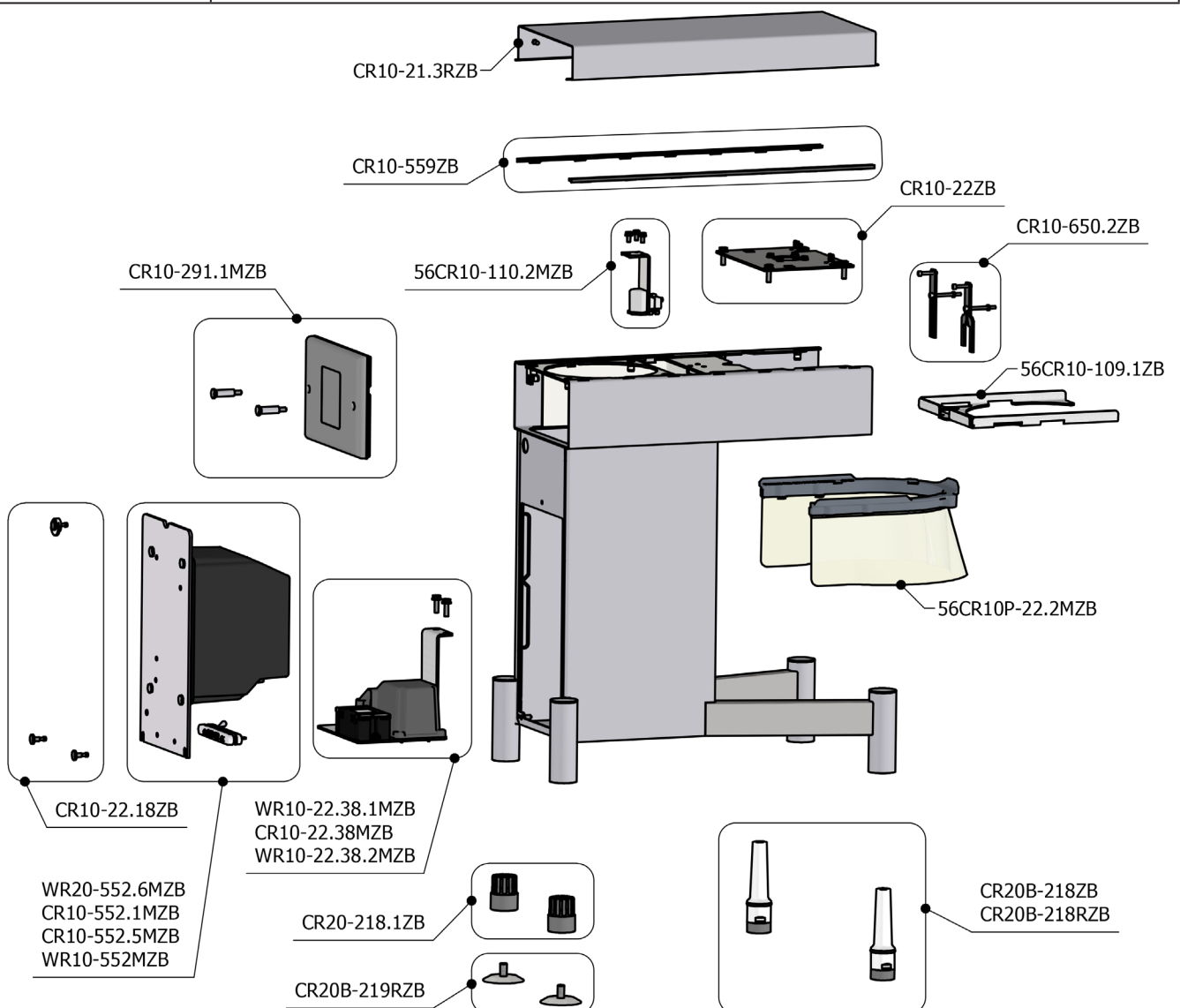
PLANETARY HEAD

ORDER NO.	DESCRIPTION
CR10-33.6ZB	Bayonet shaft CR10
CR10-3MZB	Main bearing, complete
CR10-RBBZB	Bayonet bushing set CR10
CR10-RBZB	Bayonet shaft set 10L
CR10-RHZB	Main shaft set CR10
CR10-RLZB	Bearing set for CR10 mixer head
CR10-RPZB	Planet gear set CR10
CR10-RTZB	Gear ring set CR10

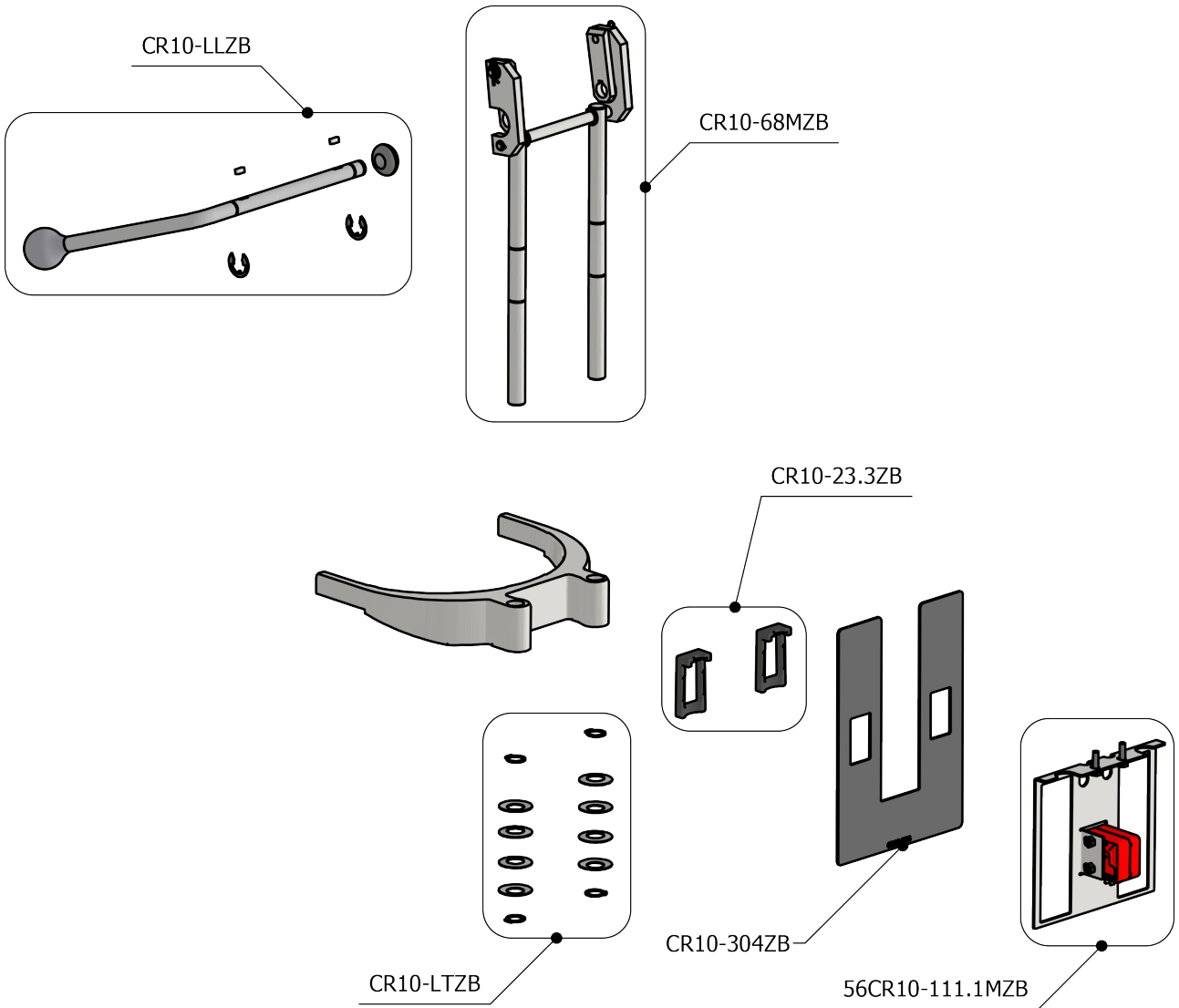


Components without an assigned item number are not sold separately.

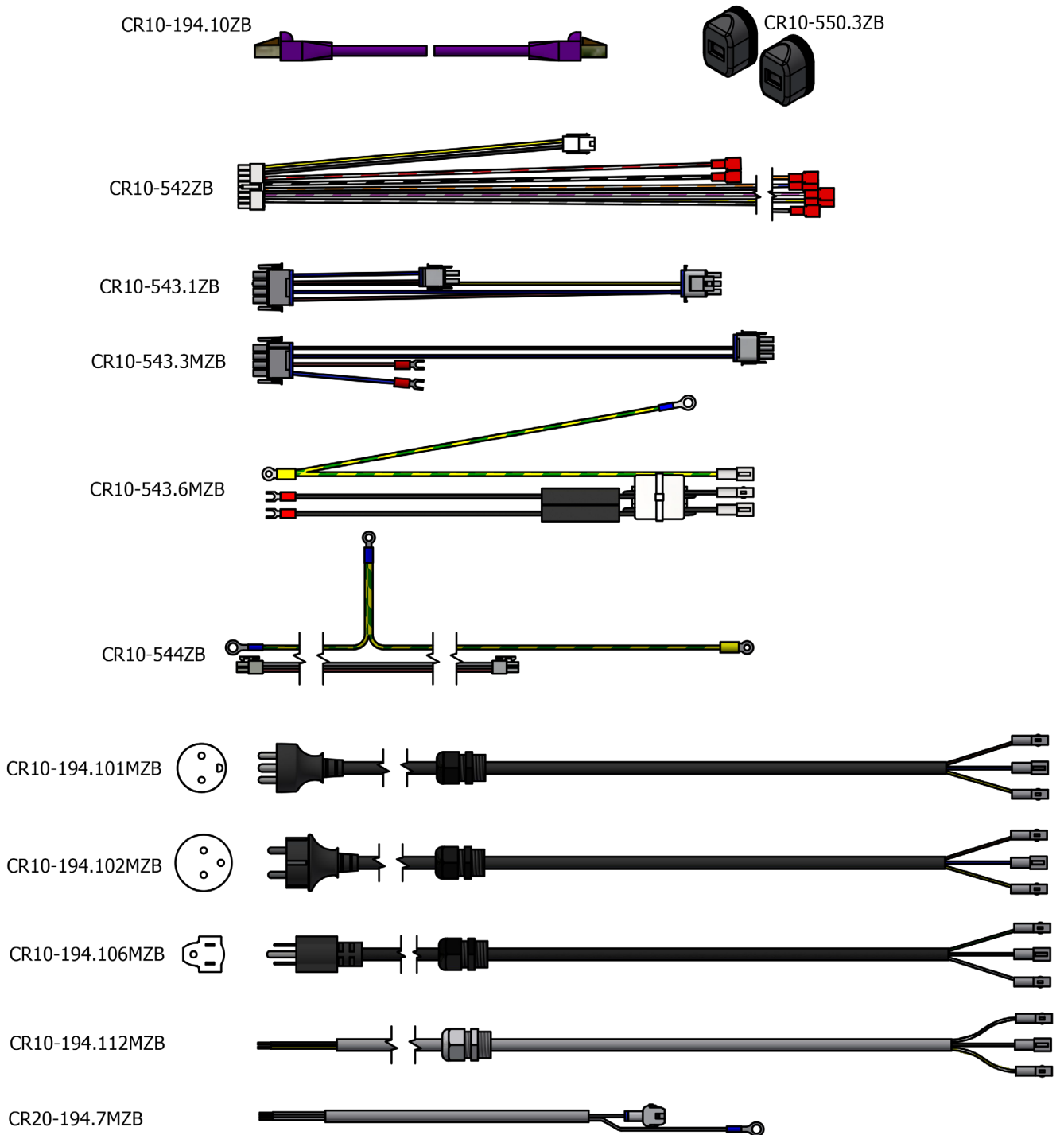
ORDER NO.	DESCRIPTION
56CR10-110.2MZB	Switch bracket mounted
CR10-21.3RZB	CR10 Lid
CR10-559ZB	CR10 Gasket
CR10-22ZB	Mounting plate set CR10
CR10-650.2ZB	Mounting bracket set for CR10
56CR10-109.1ZB	Contact plate CR10
56CR10P-22.2MZB	Safety guard complete ETL
CR10-291.1MZB	Backplate set CR10
CR30-22.18ZB	Rotary lock set CR10
WR20-552.6MZB	Frequency converter 750W-120V complete
CR10-552.1MZB	200-220V Variable freq. drive CR10
CR10-552.5MZB	230V Variable speed drive CR10
WR10-552MZB	400-480V Variable speed drive CR10
WR10-22.38.1MZB	PSU & EMC filter mounted 100-120V
CR10-22.38MZB	PSU & EMC filter mounted 200-480V
WR10-22.38.2MZB	PSU & EMC filter 200-480V Marine version
CR20B-218ZB	Adjustable foot CR
CR20B-218RZB	Adjustable RF foot CR
CR20-218.1ZB	Rubber foot CR
CR20B-219RZB	Welding base marine set CR



ORDER NO.	DESCRIPTION
CR10-68MZB	Bowl lift mounted CR10
CR10-LLZB	Lifting handle set CR10
CR10-LTZB	Disc spring set CR10
CR10-23.3ZB	Bowlarm Gasket NSF
CR10-304ZB	Cover plate CR10
56CR10-111.1MZB	Bowl detector bracket mounted



ORDER NO.	DESCRIPTION
CR10-194.10ZB	Communication cable
CR10-550.3ZB	Kodiak Comm. Cable Seal
CR10-542ZB	Main circuit cable for CR10
CR10-543.3MZB	Connection cable
CR10-543.6MZB	Power supply cable
CR10-544ZB	Connection cable
CR10-194.102MZB	Power supply cable EU
CR10-194.106MZB	Power supply cable US + CAN
CR10-194.112MZB	Power supply cable Without plug



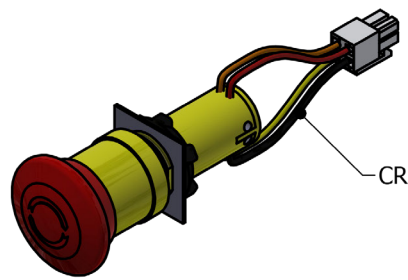
FRONT PANEL

ORDER NO.	DESCRIPTION
CR10-501.2MZB	Front panel mounted
CR10-501.3MZB	Front panel mounted, for auxiliary drive
CR10-174.35ZB	Emergency stop RN10, complete



CR10-501.2MZB

CR10-501.3MZB

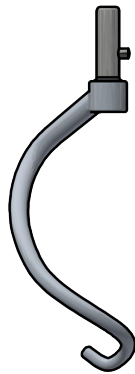


CR10-174.35ZB

ORDER NO.	DESCRIPTION
CR10-75MZB	10L bowl stainless steel
CR10-78MZB	RN10 stainless steel hook
CR10-27MZB	RN10 stainless steel beater
CR10-28MZB	RN10 stainless steel whip 3mm
42CR10-202ZB	Scraper standard PE CR10
CR10-200ZB	Scraper standard PE CR10/10L
42CR10-204ZB	Scraper blade standard PE CR10/10L
42CR10-204TZB	Scraper blade heat-res PTFE CR10/10L
48R20ZB	Suspension for mixing tool



CR10-75MZB



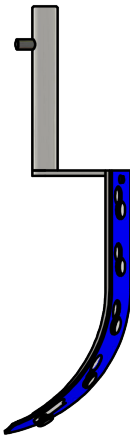
CR10-78MZB



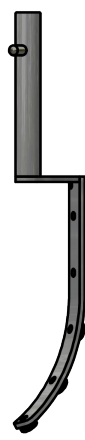
CR10-27MZB



CR10-28MZB



42CR10-202ZB



CR10-200ZB

42CR10-204ZB
42CR10-204TZB

48R20ZB



Varimixer

Varimixer A/S
Elementfabrikken 9
DK-2605 Brøndby
P: +45 4344 2288
E: info@varimixer.com
www.varimixer.com