



KODIAK 30



Spare Parts manual

Serial number
reference:

- 30010086 -
- 3000000000 -
- 3000100000 -
- 3000200000 -
- 3000300000 -
- 3000400000 -
- 3000500000 -
- 3000600000 -
- 3000700000 -
- 3000800000 -



Varimixer

Varimixer A/S
Elementfabrikken 9
DK-2605 Brøndby
Denmark

P: +45 4344 2288
E: info@varimixer.com
www.varimixer.com

EN

DRN:24030-160202
29-04-2026

TRANSMISSION	<u>3</u>
ATTACHMENT DRIVE	<u>4</u>
ASSEMBLED PLANETARY HEAD	<u>5</u>
PLANETARY HEAD	<u>6</u>
MACHINE HOUSING	<u>7</u>
LIFTING SYSTEM	<u>8</u>
ELECTRIC COMPONENTS	<u>9</u>
FRONT PANEL	<u>10</u>
ACCESSORIES	<u>11</u>

ORDERING OF SPARE PARTS:

Sale of spare parts for our mixers is attended by our spare part department. When ordering spare parts, the following information must be given:

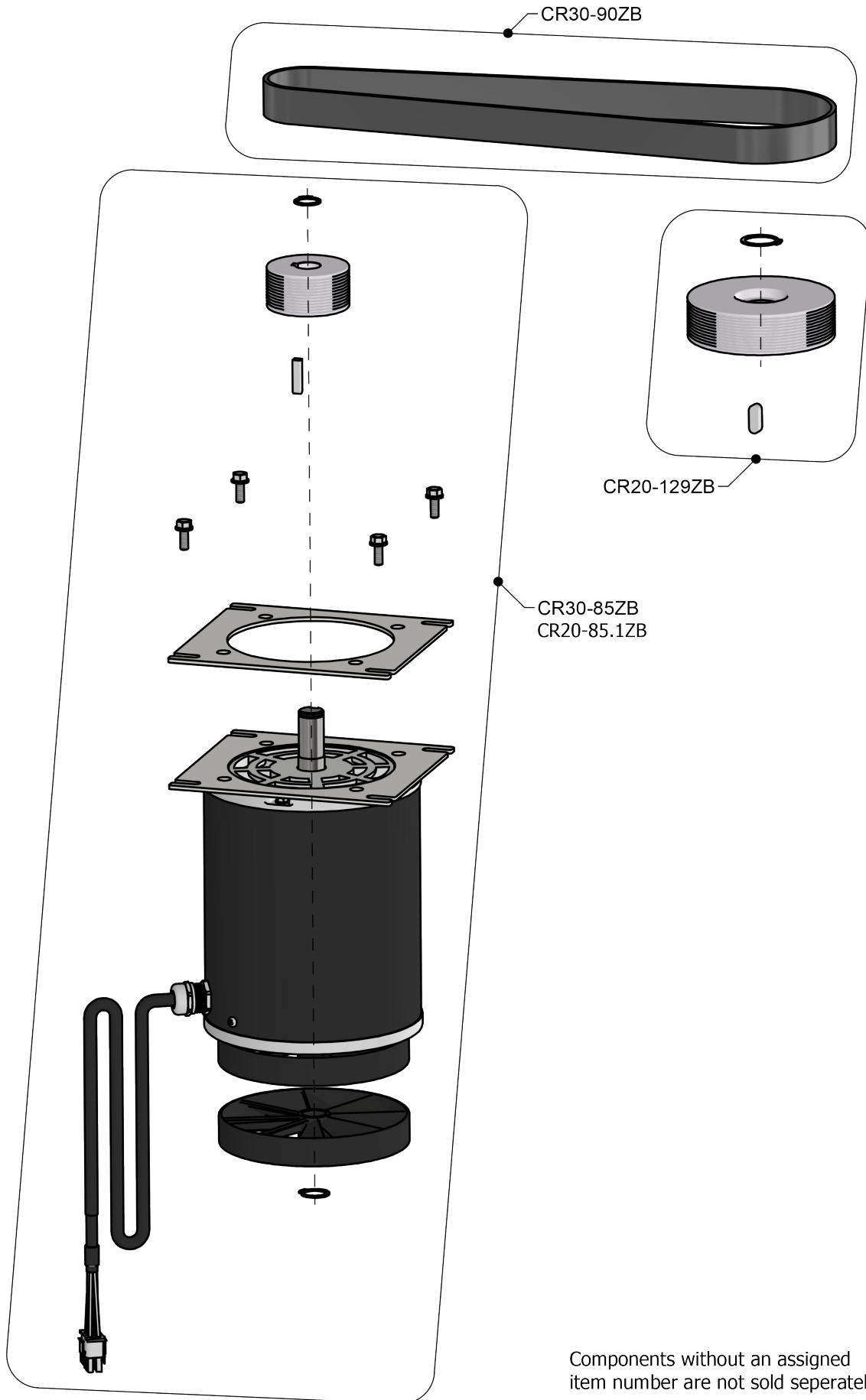
1. Type of machine
2. Number of the machine
3. Article number of the spare part in question. (Order no.)
4. Method of conveyance

If one of the above pieces of information is missing, please contact our spare part department before placing the order, as then we can assist you in finding the correct article number (order no.) of the spare part in question.

A few spare parts are not sold alone, in such cases reference is made at the pos.number to the assembly number to be used for ordering. The assembly numbers are shown on the relevant pages.

Returning of spare parts is only
allowed when agreed with
Varimixer A/S

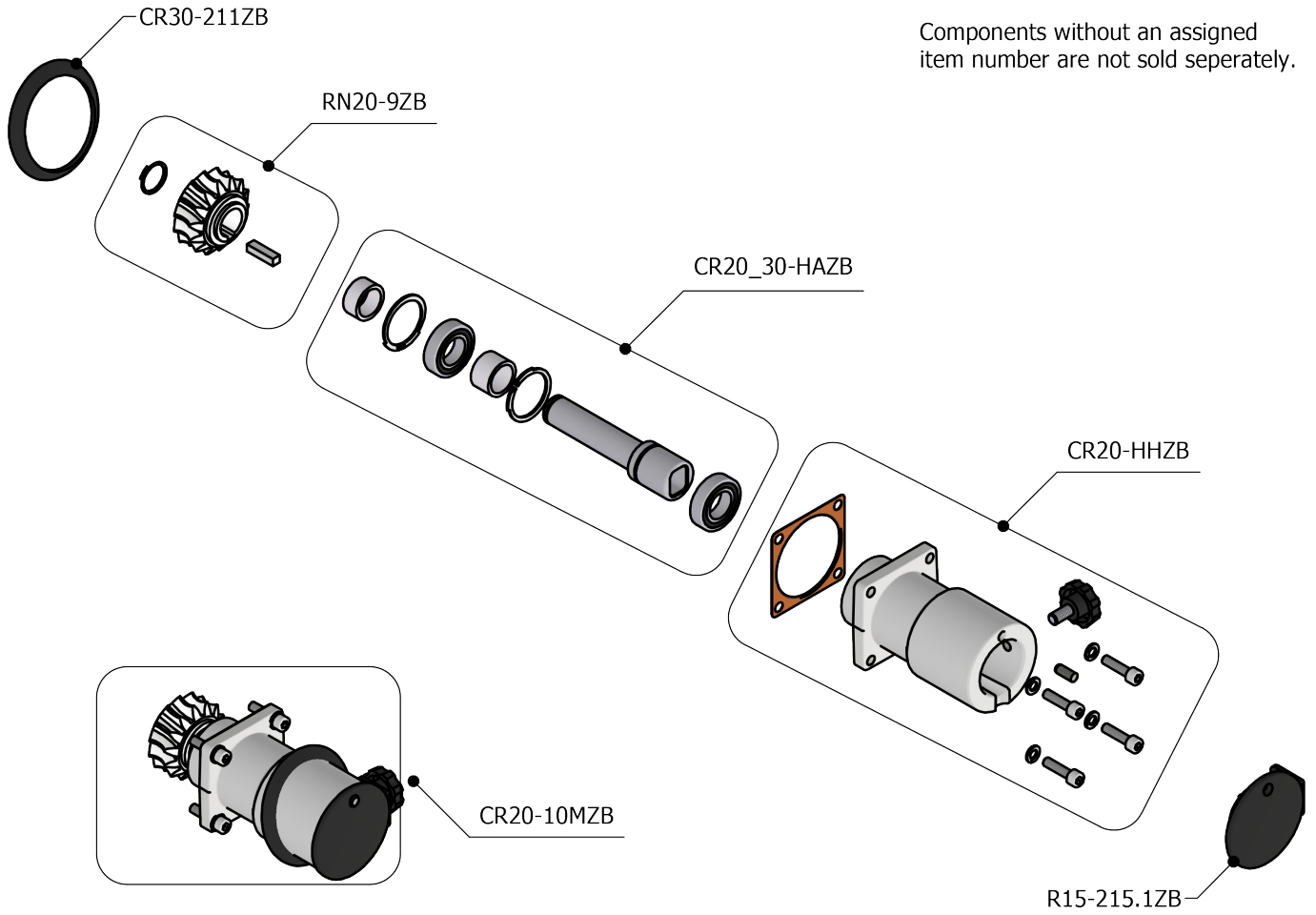
ORDER NO.	DESCRIPTION
CR20-85.1ZB	Motor CR30 1,5 kW for US
CR30-85ZB	Motor CR30 1,2 kW
CR30-90ZB	Drive belt CR20 & CR30
CR20-129ZB	External belt pulley CR10/20



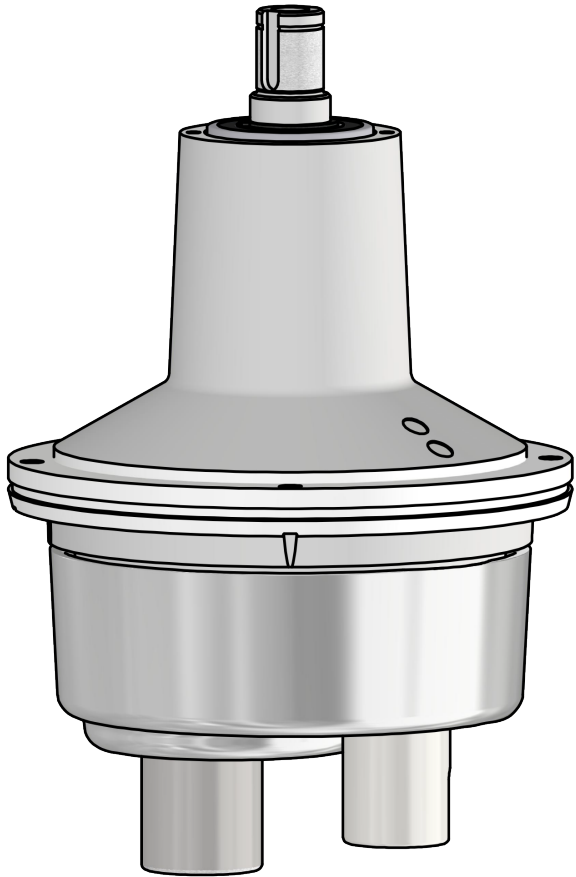
Components without an assigned item number are not sold separately.

ATTACHMENT DRIVE

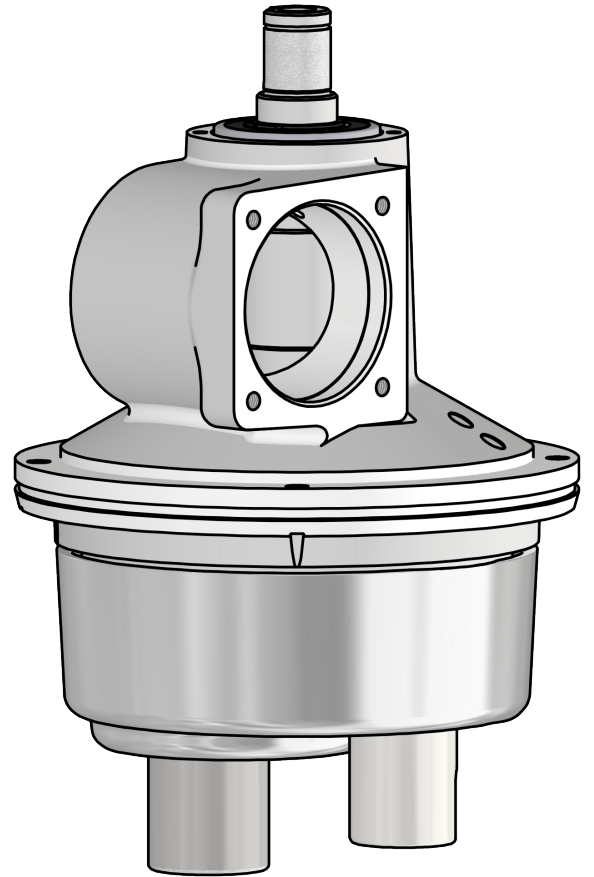
ORDER NO.	DESCRIPTION
CR20-10MZB	Attachment drive complete CR20/30 Kodiak
CR30-211ZB	Cover CR20/30
RN20-9ZB	Worm Gear Set CR20
CR20_30-HAZB	Aux Shaft Kit CR20/30
CR20-HHZB	CR20 Aux Housing Kit
R15-215.1ZB	CR20 Blanking Cover



ORDER NO.	DESCRIPTION
CR30-2.4MZB	CR30 Planetary head with hub
CR30-2.5MZB	Planetary head CR30 without hub



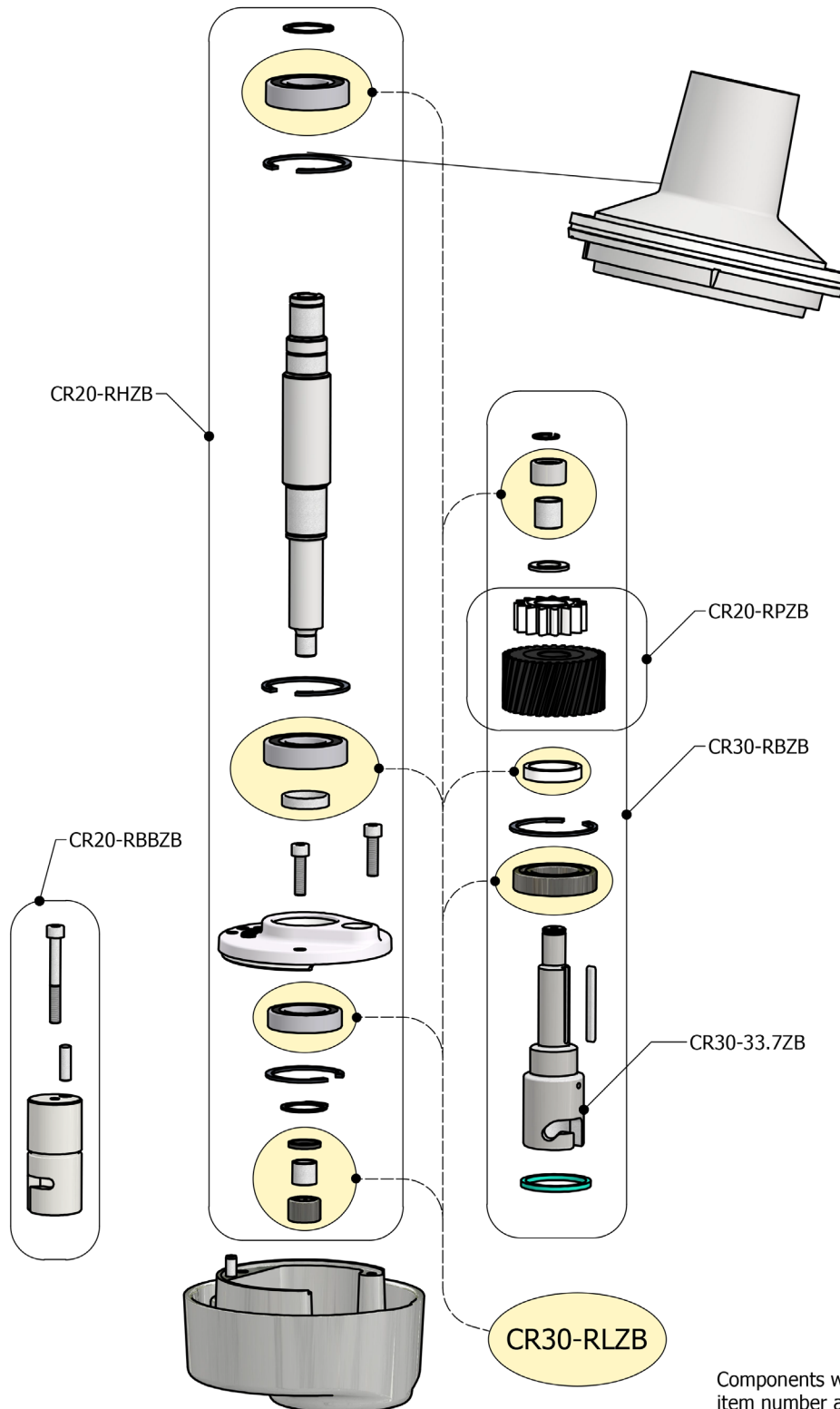
CR30-2.5MZB



CR30-2.4MZB

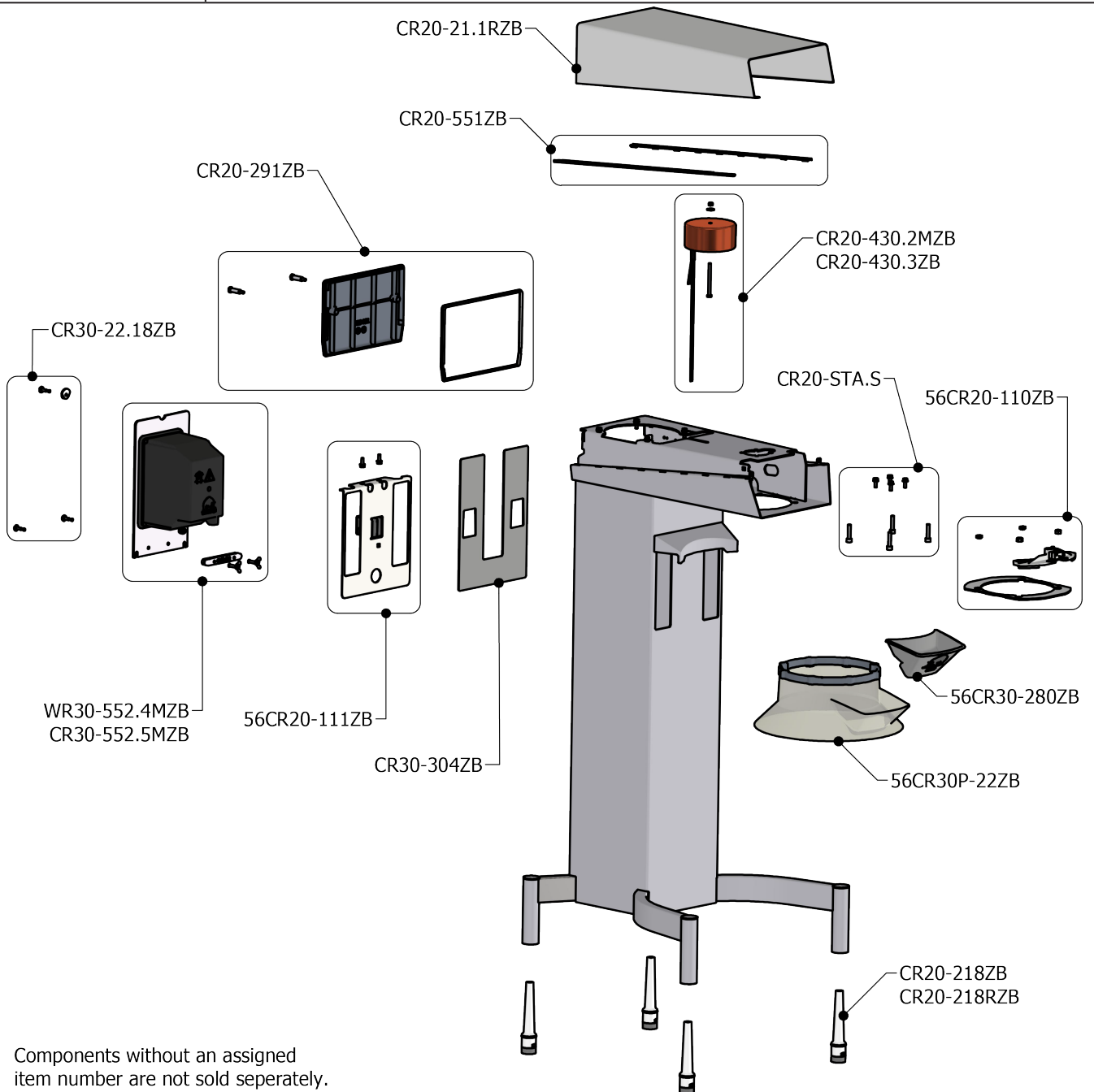
PLANETARY HEAD

ORDER NO.	DESCRIPTION
CR30-33.7ZB	Bayonet shaft CR30
CR30-RBZB	Bayonet shaft kit CR30
CR20-RHZB	Main shaft set CR20/30
CR30-RLZB	Bearing set for CR30 mixer head
CR20-RPZB	Planet gear set CR20/30
CR20-RBBZB	Bayonet bushing set CR20/30



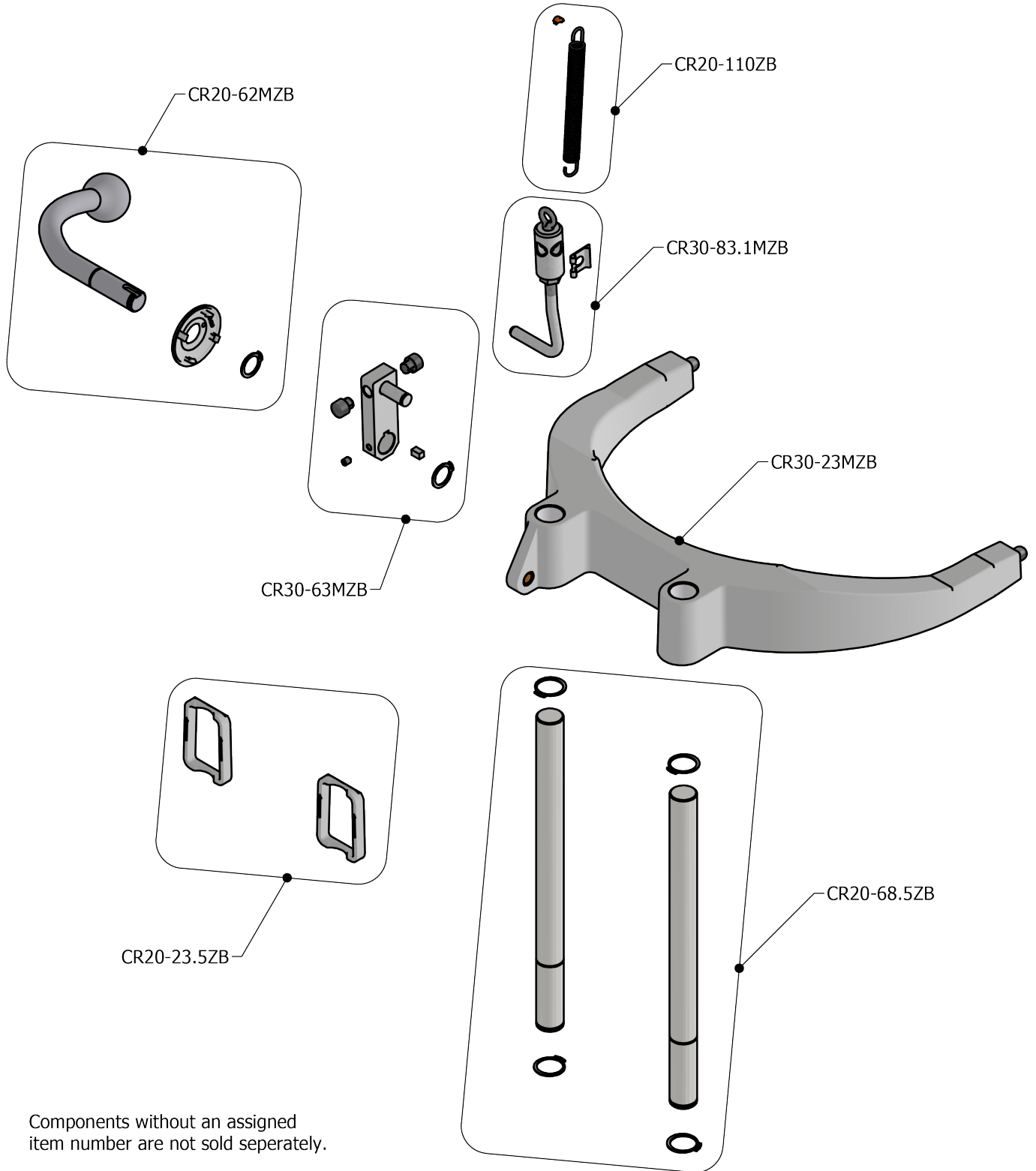
Components without an assigned item number are not sold separately.

ORDER NO.	DESCRIPTION
56CR30-280ZB	Kodiak 30 filling tray protection
CR30-304ZB	CR20/30 NSF Coverplate
56CR20-111ZB	Microswitch bowl detection incl. Bracket
56CR30P-22ZB	Safety guard CR30
CR20-430.2MZB	CR30 Transformer 200-208V - USA
CR30-552.5MZB	CR30 Variable Freq. Drive 220-230V
WR30-552.4MZB	Bearfoot
CR30-22.18ZB	Rotary lock set CR10
CR20-291ZB	CR20/30 Back Plate Kit
CR20-551ZB	CR20/30 Sealing lid
CR20-21.1RZB	CR20/30 Lid CR20
CR20-430.3ZB	CR20/30 Transformer 400-480V
CR20-STA.S	Bolt set for CR20/30 machine housing
56CR20-110ZB	CR20/30 Contact Plate & Bracket Kit
CR20-218ZB	CR10/20/30 Adjustable leg
CR20-218RZB	Foot Adjustable stainless MARINE CR20/30



Components without an assigned item number are not sold separately.

ORDER NO.	DESCRIPTION
CR20-62MZB	Lifting Handle Kit
CR30-23MZB	CR30 Bowl arm mounted with pins/bushing
CR30-63MZB	CR20/30 Crank Kit
CR30-83.1MZB	CR20/30 Lifting Bolt Kit
CR20-110ZB	CR20/30 Tensile spring boiler lift
CR20-23.5ZB	CR20/30 NSF gasket
CR20-68.5ZB	Bowllarm shaft CR20/30



Components without an assigned item number are not sold separately.

ORDER NO.	DESCRIPTION
CR10-194.102MZB	Power supply cable EU
CR10-194.115MZB	Main cable stripped end
CR10-194.104MZB	Main cable CH CR
CR20-543.7MZB	Supply cable
CR10-194.112MZB	Power supply cable Without plug
R20E-418.20ZB	Fuse Slow 12.5A, Ø6.3 x 32mm, 500V
CR10-194.10ZB	Communication cable
CR10-550.3ZB	Kodiak Comm. Cable Seal
CR10-542ZB	Main circuit cable for CR10
CR30-543.2ZB	Connection Cable
CR10-601.1ZB	CR20/30 EMC Filter
R20E-418.21ZB	Fuse Slow 12.5A, Ø6.3 x 32mm, 500V

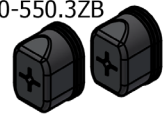
R20E-418.20ZB



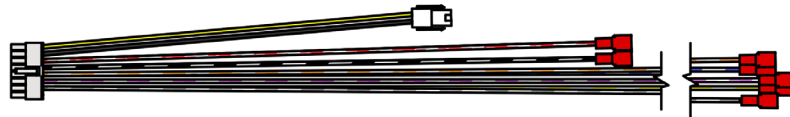
CR10-194.10ZB



CR10-550.3ZB



CR10-542ZB



CR30-543.2ZB



CR10-601.1ZB



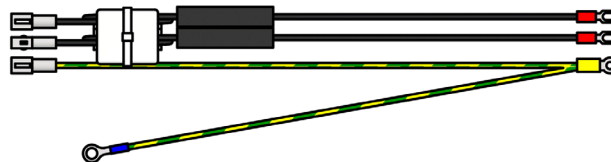
208 - 230V

CR20-543.7MZB



400 - 480V

CR10-543.6M



CR10-194.102MZB



CR10-194.104MZB



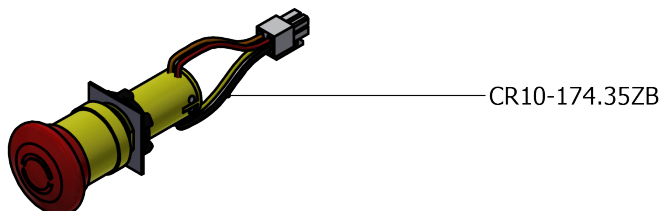
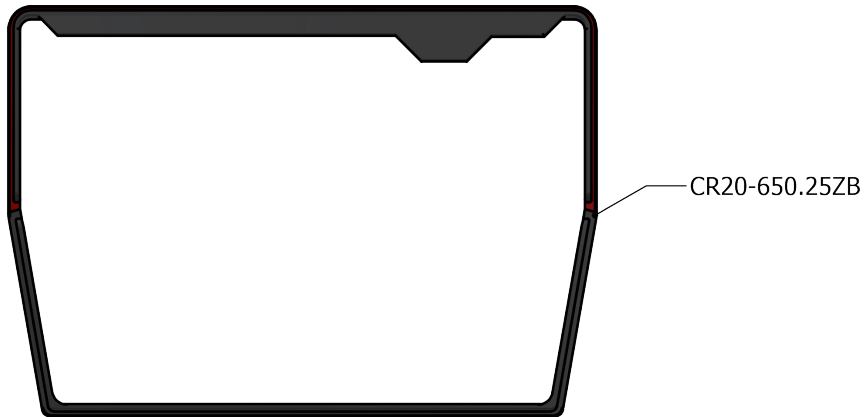
CR10-194.112MZB



CR10-194.1115MZB

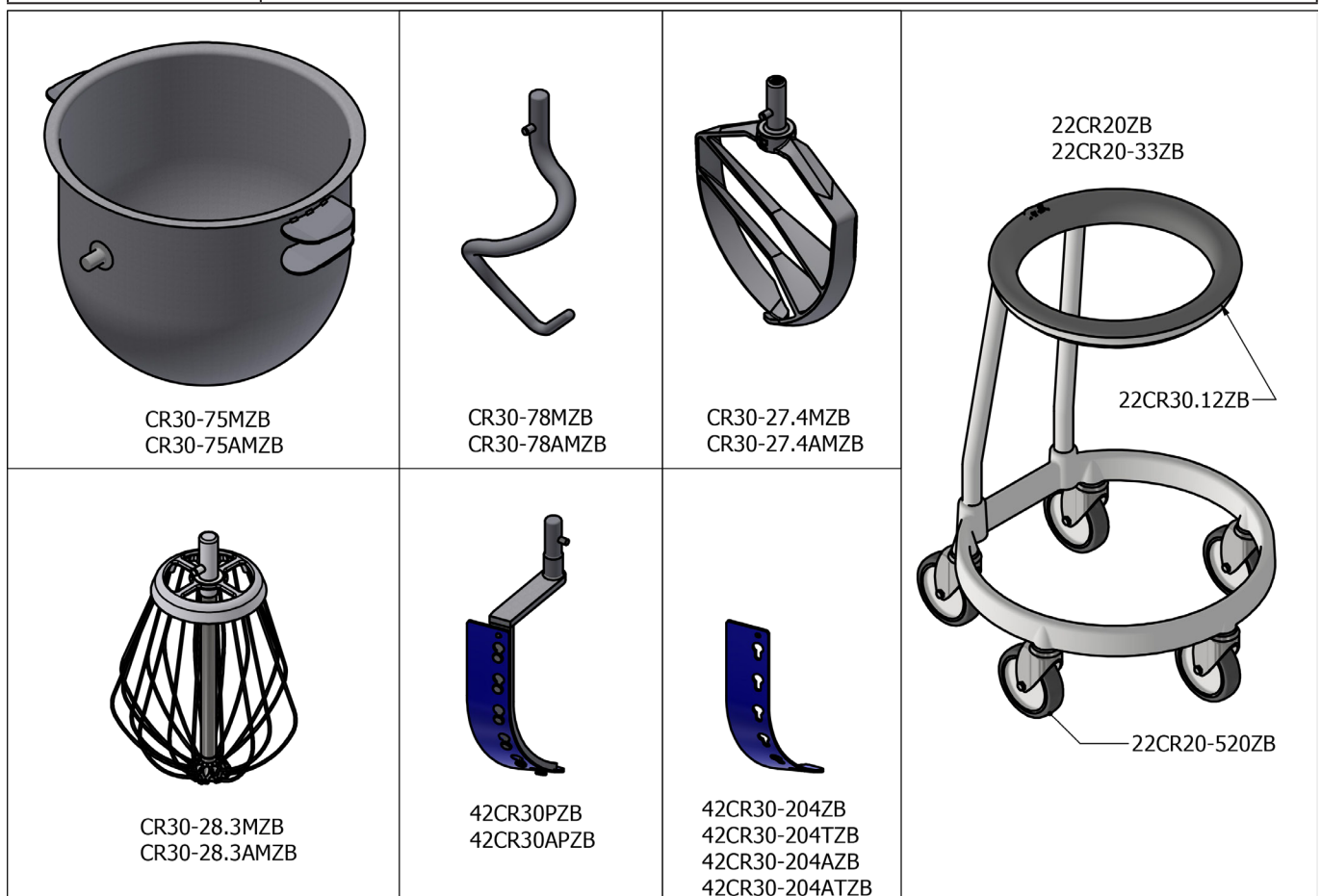


ORDER NO.	DESCRIPTION
CR20-501.13MZB	Frontpanel, VL1C 100-240V mounted
CR20-501.14MZB	Frontpanel, VL1C HUB 100-260V mounted
CR20-650.25ZB	Gasket for frontpanel
CR10-174.35ZB	Emergency stop RN10, complete



Components without an assigned item number are not sold separately.

ORDER NO.	DESCRIPTION
42CR30-204ATZB	Scraper blade heat-res PTFE CR30/15L
42CR30-204AZB	Scraper blade standard PE CR30/15L
42CR30-204TZB	Scraper blade heat-res PTFE CR30/30L
42CR30-204ZB	Scraper blade standard PE CR30/30L
42CR30APZB	Scraper standard PE CR30/15L
42CR30PZB	Scraper standard PE CR30/30L
CR30-27.4AMZB	CR30/15L Beater, stainless
CR30-27.4MZB	CR30L Beater, Stainless
CR30-28.3AMZB	CR30/15L Axle whisk
CR30-28.3MZB	Axlewhisk CR30L complete
CR30-75AMZB	CR30/15L Bowl
CR30-75MZB	CR30L Bowl
CR30-78AMZB	Hook 30/15L CR30L
CR30-78MZB	CR30 Hook
22CR20ZB	Bowltruck Kodiak CR20/30
22CR20-520ZB	Wheel for Bowl truck ø100 Tente



Components without an assigned item number are not sold separately.



Varimixer

Varimixer A/S
Elementfabrikken 9
DK-2605 Brøndby
P: +45 4344 2288
E: info@varimixer.com
www.varimixer.com