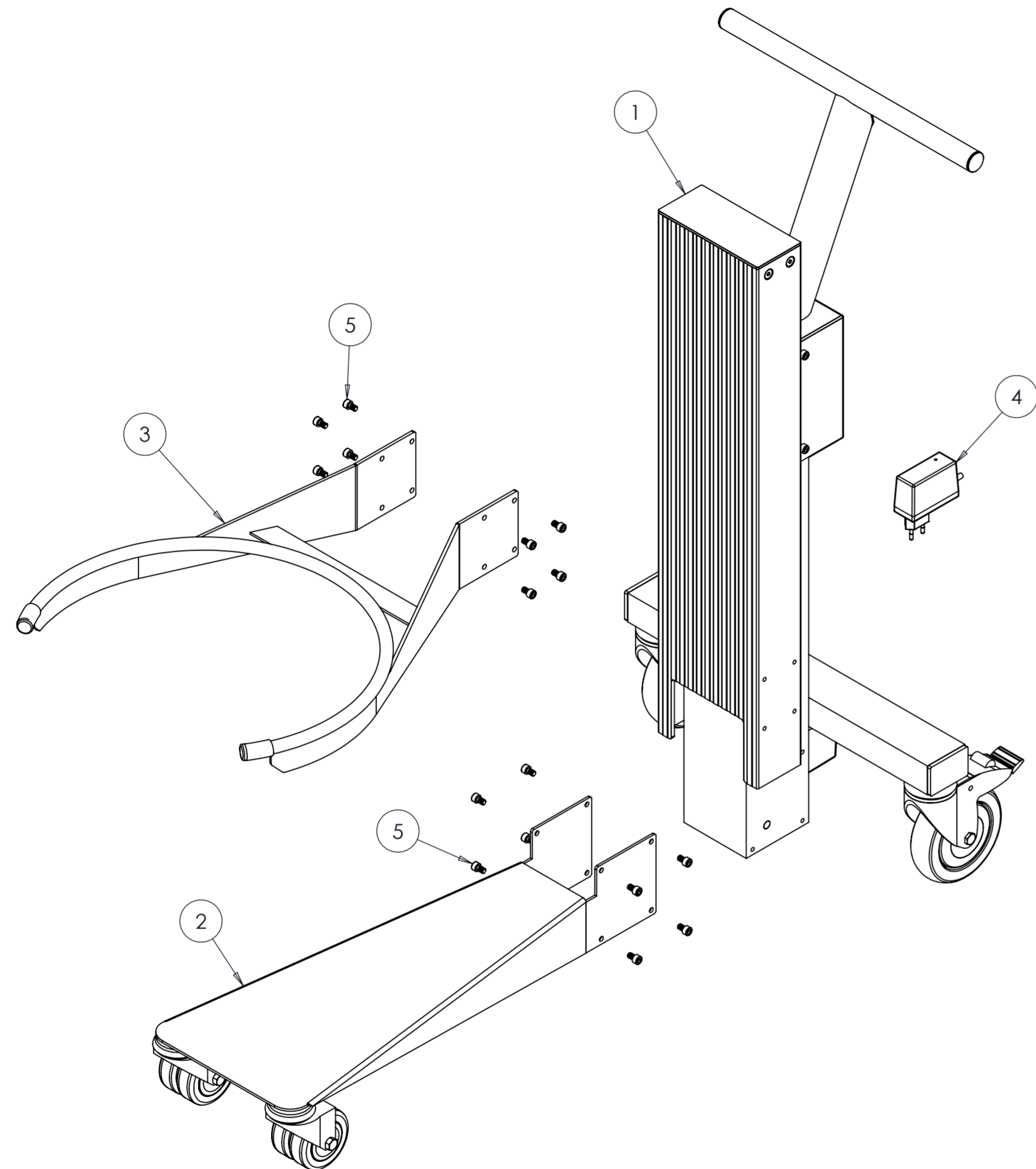


UNLESS OTHERWISE SPECIFIED: DIMENSIONS ARE IN MILLIMETERS AND WITH TOLERANCES AFTER DS/ISO 2768-1 MIDDLE.				FINISH:		DEBUR AND BREAK SHARP EDGES		DO NOT SCALE DRAWING		Version: 1	
<b>HOVMAND</b>											
REVISION	NAME	LOCATION	DATE	TITLE:							
2											
3											
4											
5											
6											
7											
8											
9											
				MATERIAL:		DWG NO. 6010700080		A2		1:10	
				WEIGHT: 22.59 Kg		DRAWN BY: LL DATE: 13.08.19		SHEET 1 OF 2			

ITEM NO.	PART NUMBER	DESCRIPTION	Default/QTY.
1	6210700050	Tårn Emma kpl. m/styring+kappe	1
2	6210700180	Hjulplade Emma 2 komplet	1
3	6210700080	Kedelgaffel Emma 2 komplet	1
4	84020005	Lader 24v-220mA	1
5	81010364	Skrue 6x10 CH A2 DIN 912	16



UNLESS OTHERWISE SPECIFIED: DIMENSIONS ARE IN MILLIMETERS AND WITH TOLERANCES AFTER DS/ISO 2768-1 MIDDLE		FINISH:	DEBUR AND BREAK SHARP EDGES	DO NOT SCALE DRAWING	Version: 1
REVISION			TITLE: <b>Emma 2 komplet</b> 80-140L Køkkenlifte		
WEIGHT: 22.59 Kg		DRAWN BY: LL		Date: 19-08-2013	SHEET 2 OF 2