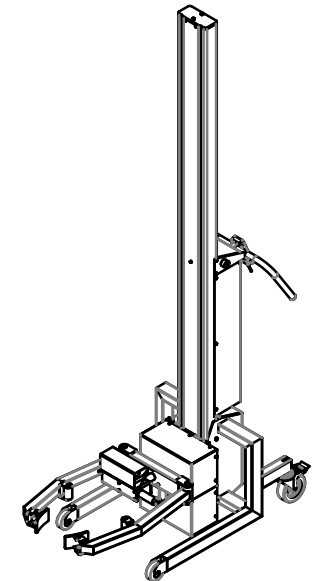


B=
 30L. 1940mm.
 40L. 1870mm.
 40/20L. 1970mm.
 60L. 1825mm.
 60/30L. 1930mm.
 80/L. 1835mm.
 80/40L. 1870mm.

C=
 30L. 1950mm.
 40L. 1935mm.
 40/20L. 1935mm.
 60L. 1910mm.
 60/30L. 1935mm.
 80/L. 1880mm.
 80/40L. 1935mm.



Max Payload 100kg.

FINISH:	EP	Dimensions:	+/- 5 mm	
TITLE:	INOX Flex H			
Impact				
MATERIAL:	SS	DWG NO.	140601000001	Revision: 1
WEIGHT: 120.63 Kg		DRAWN BY: LL	Date[yy.mm.dd]:14.03.03	SHEET 1 OF 1