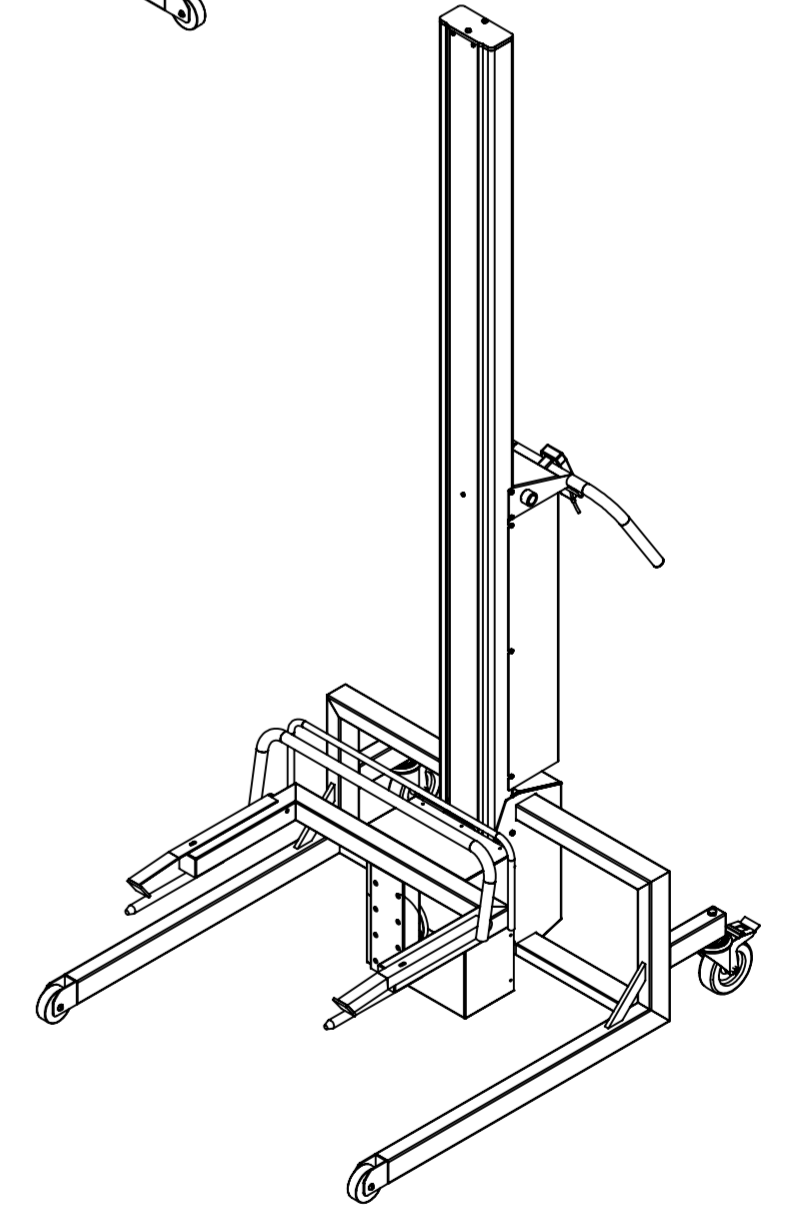



B=
 100L. 1930mm.
 100/60L. 1960mm.
 100/40L. 2100mm.



UNLESS OTHERWISE SPECIFIED: DIMENSIONS ARE IN MILLIMETERS AND WITH TOLERANCES AFTER DS/ISO 2768-1 MIDDLE.		FINISH: EP	DEBUR AND BREAK SHARP EDGES	DO NOT SCALE DRAWING	Version: 1
				HOVMAND	
				INOX Maxi100 H	
REVISION		NAME	LOCATION	DATE	TITLE:
2					
3					
4					
5					
6					
7					
8					
9					
		MATERIAL: SS	DWG NO. 140806000002		A2
		WEIGHT: 152,18 Kg	DRAWN BY: LL DATE: 14.03.03		1:20
					SHEET 1 OF 1