

Varimixer

MEGALIFT INOX

EASY HANDLING After mixing, the bowl is lifted directly out of the mixer, driven to the workplace and lifted up to appropriate working height for portioning of the contents.

BATTERY POWERED The Megalift Inox lift will enhance efficiency in your work processes and ensure health and safety.

BOWL SIZES The Megalift Inox handles 140L bowls.

BOWL ROTATION The turning unit is used for making sideways rotation of the bowl.

EASY TRANSPORTATION Megalift Inox handles all lifts of bowls and is easy to drive around in the kitchen.

OVERLOAD PROTECTION The lift is equipped with automatic over-load switch.

WHEN NOT IN USE When Megalift Inox is not in use, it can be parked under the table.

MEGALIFT HEIGHT The Megalift Inox is available in two mast heights - 1.98 m and 2.41 m.

MAXIMUM LOAD Megalift Inox moves, lifts and handles loads of up to 140 kg simply and efficiently.

BOWL FIXATION The bowl is fixated by means of a snaplock fitting mounted on the bowl ring.

EASY OPERATION Lifting and lowering is done electrically and is operated from a remote control.



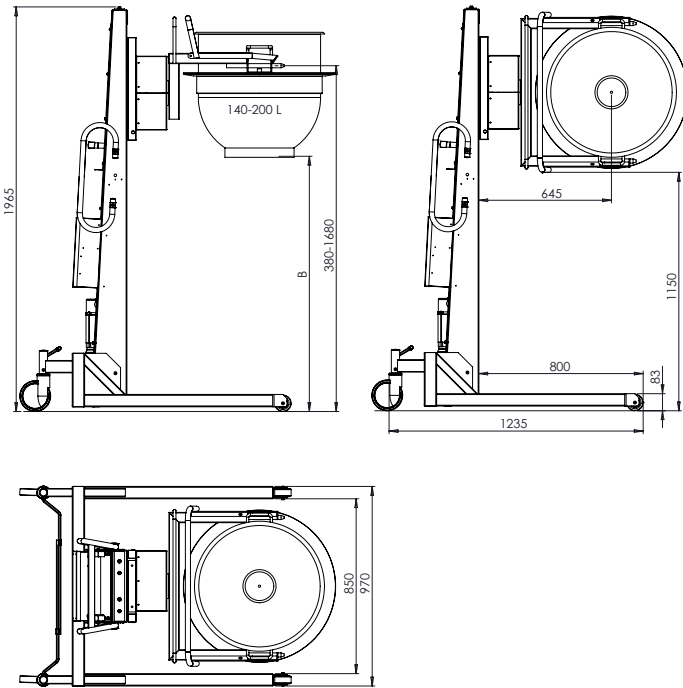
VARIMIXER MEGALIFT INOX

Mast is made of glass blasted stainless steel (1.4301).
Handle is made of glass blasted stainless steel (1.4301).
Sledge is made of glass blasted stainless steel (1.4301).
Front cover is made of electro polished stainless steel (1.4301).
Plug for remote is made of polyacetal
Remote is made of polyamide 6
Wheel frame is made of glass blasted stainless steel (1.4301).
Front wheels are made of polyurethane
Back wheels are made of stainless steel, Polyamide and polyurethane
Charger: 230V, 2 Amps

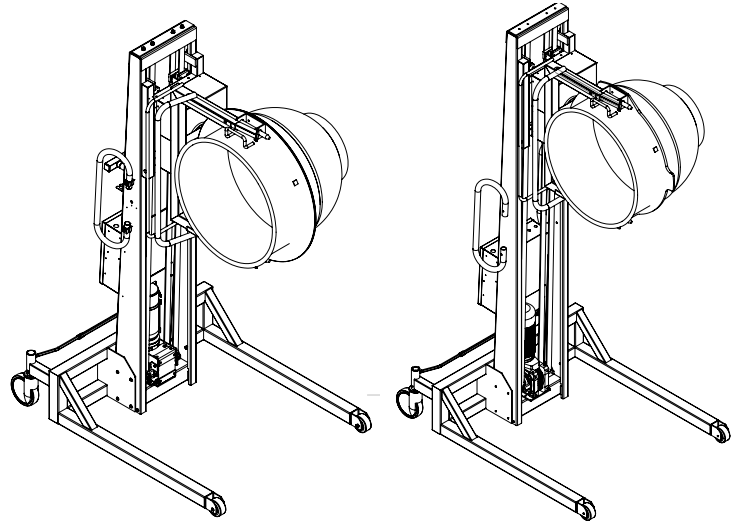
VARIMIXER MEGALIFT INOX

Bowl size	200 L
Maximum load	200 kg
Net weight Megalift Inox M	135 kg
Net weight Megalift Inox H	142 kg
H x W x L Megalift Inox M	1965 x 970 x 1235 mm
H x W x L Megalift Inox H	2315 x 970 x 1235 mm
Batteries	24V, 18 Ah
Charging time (100%)	8 hrs.
Sound pressure level	≤ 70 Db(A)
Vibration strength	≤ 2.5 m/s ²
IP code	IP65

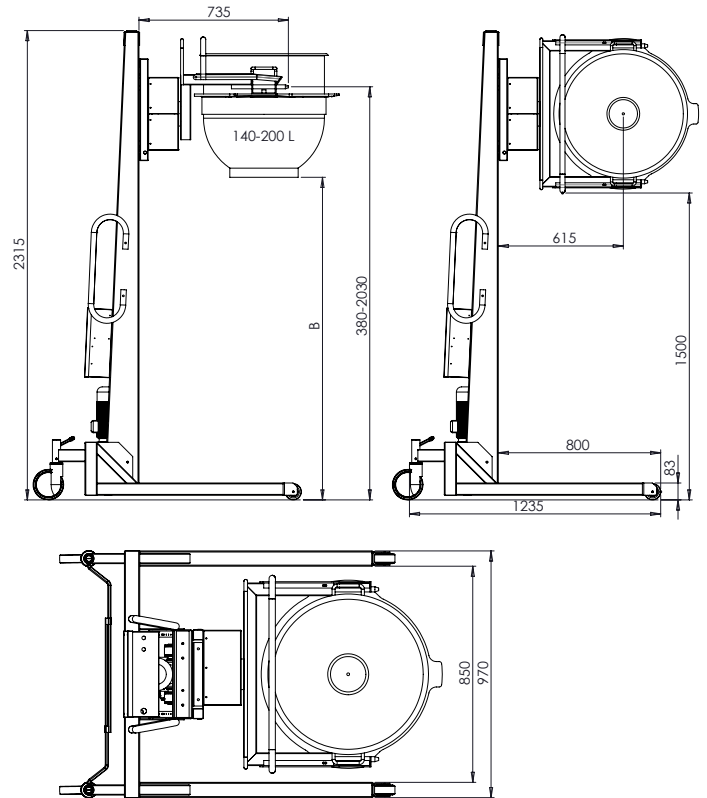
DIMENSIONS MEGALIFT INOX MEDIUM



CERTIFICATIONS



DIMENSIONS MEGALIFT INOX HIGH



Varimixer

Varimixer A/S
Kirkebjerg Søpark 6
DK-2605 Brøndby
P: +45 4344 2288
E: info@varimixer.com
www.varimixer.com